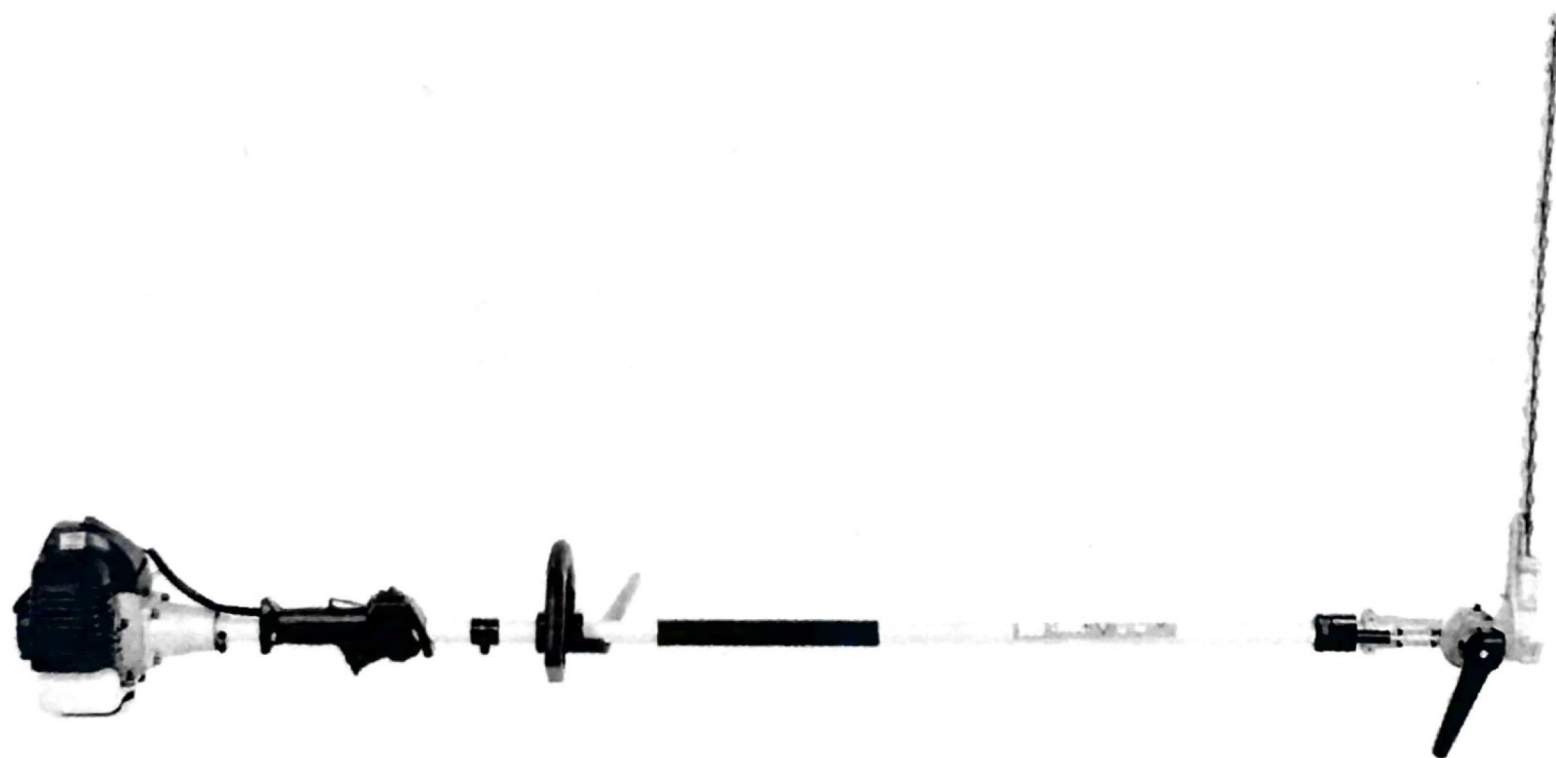


# COBRA

MODEL: LRH26C (PNHT260-3B)

## COBRA LONG REACH HEDGE TRIMMER OWNER'S MANUAL



### **Cobra Garden Machinery**

Henton and Chattell Ltd., London Road, Nottingham NG2 3HW UK

[www.cobragarden.co.uk](http://www.cobragarden.co.uk)

### **⚠ WARNING:**

For your own safety please read this manual before attempting to operate your new hedge trimmer. Failure to follow instructions can result in serious personal injury. Spend a few moments to familiarize yourself with your trimmer before each use. Keep this manual in a safe place, so that the information is available at all times. If you give the equipment to any other person, hand over these operating instructions and safety regulations as well.

## **Intended use**

The equipment may only be used for the tasks it is designed to handle. Any other use is deemed to be a case of misuse. The user/operator and not the manufacturer will be liable for any damage or injuries of any kind caused as a result of this.

The petrol hedge trimmer is intended for private use i.e. for use in home and gardening environments. Please note that our equipment has not been designed for use in commercial, trade or industrial applications. Our warranty will be voided if the machine is used in commercial, trade or industrial businesses or for equivalent purposes. The operating instructions as supplied by the manufacturer must be kept and referred to in order to ensure that the hedge trimmer is properly used and maintained. The instructions contain valuable information on operating, maintenance and servicing conditions.














Important! Due to the high risk of bodily injury to the user, the hedge trimmer should be only used for maintaining bushes, hedges and shrubs.

### **WARNING:**

For your own safety please read this manual before attempting to operate your new unit. Failure to follow instructions can result in serious personal injury. Spend a few moments to familiarize yourself with your mower before each use.



## 1. SYMBOLS MARKED ON THE PRODUCT

Symbols		 <b>WARNING</b> The following show symbols used for the machine. Be sure that you understand their meaning before use.	
	It is important that you read, fully understand and observe the following safety precautions and warnings. Careless or improper use of the unit may cause serious or fatal injury.		Off/Stop
	Read, understand and follow all warnings and instructions in this manual and on the unit.		Emergency stop
	Always wear eye, head and ear protectors when using this unit.		Fuel and oil mixture
	Choke-Run position (Open)		Hot surface
	Choke-Choked position (Closed)		Protect from moisture!
	On/Start		Keep fire away from the fuel tank!

**IMPORTANT:** Always read the manual carefully, ensure the equipment is correctly assembled and adjusted.

**Warning:** Keep the safety signs clear and visible on the equipment. Replace the safety signs if they are missing or illegible.

## 2. GENERAL SAFETY RULES

**⚠️ WARNING:** When using petrol tools, basic safety precautions, including the following, should always be followed to reduce the risk of serious personal injury and/or damage to the unit. Read all these instructions before operating this product and retain these instructions for future reference.

**⚠️ WARNING:** This machine produces an electromagnetic field during operation. This field may under some circumstances interfere with active or passive medical implants. To reduce the risk of serious or fatal injury, we recommend persons with medical implants to consult their physician and the medical implant manufacturer before operating this machine.

**⚠️ WARNING:** Do not start up the engine while the battery is charging.

### Training

- Read the instructions carefully. Be familiar with the controls and the proper use of the equipment;
- Never allow children or people unfamiliar with these instructions to use the hedge trimmer. Local regulations can restrict the age of the operator;
- Never operate the trimmer while people, especially children, or pets are nearby;
- Keep in mind that the operator or user is responsible for accidents or hazards occurring to other people or their property.



- The operators must receive proper training in the use, adjustment and operation of the machine, including prohibited operations.

### **Preparation**

- While operating the hedge trimmer, always wear substantial footwear and long trousers. Do not operate the equipment when barefoot or wearing open sandals. Secure long hair safely to avoid entanglement;
- **WARNING-** Petrol is highly flammable.
  - Store fuel in containers specifically designed for this purpose;
  - refuel outdoors only and do not smoke while refueling;
  - add fuel before starting the engine. Never remove the cap of the fuel tank or add petrol while the engine is running or when the engine is hot;
  - if petrol is spilled, do not attempt to start the engine, but move the machine away from the area of spillage and avoid creating any source of ignition until petrol vapours have dissipated;
  - replace all fuel tank and container caps securely;
- Replace faulty silencers;
- Before using, always visually inspect to see that the blades, blade bolts and cutter assembly are not worn or damaged. Replace worn or damaged parts, blades and bolts in sets to preserve balance;

### **Operation**

- Do not operate the engine in a confined space where dangerous carbon monoxide fumes can collect;
- **Warning!** Do not use the trimmer when there is a risk for lightning.
- It is recommended to limit the duration of operation, in order to minimize the risks from noise and vibration.
- Be careful when using the hedge trimmer on slopes and near drop-offs, ditches or embankments.
- Trim only in daylight or in good artificial light;
- Beware of overhead power lines.
- Always be sure of your footing on slopes;
- Keep hands away from the cutting blades at all times.
- Never operate the hedge trimmer with defective guards, or without safety devices in place;
- Start the engine carefully according to instructions and with hands well away from the blades;
- Do not put hands or feet near or under rotating parts.
- Stop the engine and disconnect the spark plug wire, make sure that all moving parts have come to a complete stop:
  - Before clearing blockages or unclogging blades;
  - Before checking, cleaning or working on the trimmer;
  - After cutting and trapping a foreign object. Inspect the trimmer for damage and make repairs before restarting and operating the equipment. Use pliers to remove trapped objects, beware of the blades moving once the object has been released.
  - If hedge trimmer starts to vibrate abnormally (check immediately);

### **Maintenance and storage**

- Keep all nuts, bolts and screws tight to be sure the equipment is in safe working condition;
- Never store the equipment with petrol in the tank inside a building where fumes can reach an open flame or spark;
- Allow the engine to cool before storing in any enclosure; Clean and maintain the equipment before storage.
- To reduce the fire hazard, keep the engine, silencer and petrol storage area free of debris or excessive grease;
- Replace worn or damaged parts for safety;
- If the fuel tank has to be drained, this should be done outdoors.
- Improper maintenance, use of non-conforming replacement components, or the removal or modification of safety components can damage the equipment and injure the operators seriously.



● Only use the recommended blades and spare parts by the manufacturer. The use of non-genuine parts can damage the machine and injure the operators. Keep the hedge trimmer in good working condition.

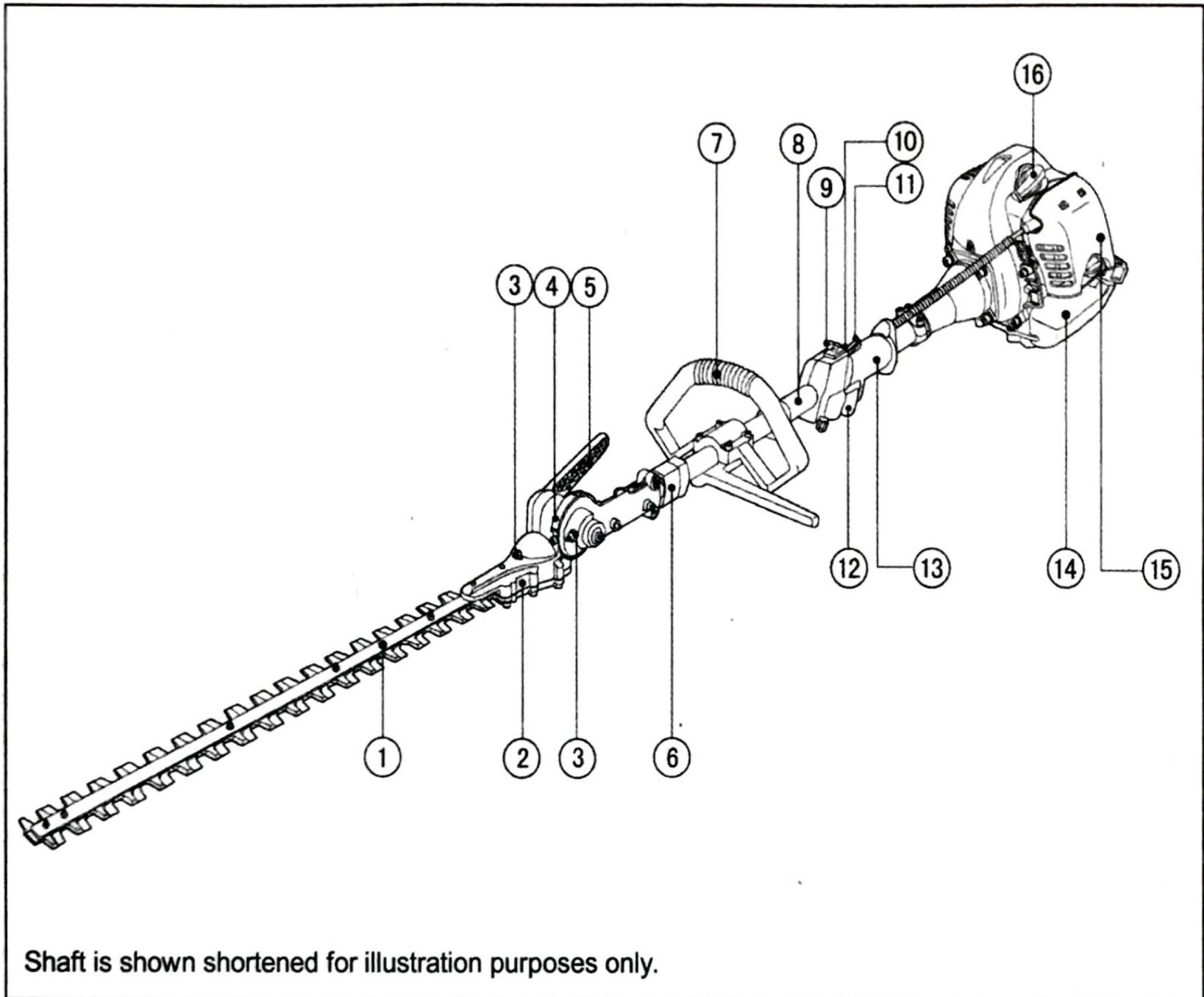
**⚠ Warning:** Do not touch cutting blades.

**⚠ Warning:** Refuel in a well ventilated area with the engine stopped.

### **Safety When Cutting**

- Only cut material such as hedges, bushes and shrubs.
- Inspect the area to be cut before each use. Remove objects which can be thrown or become entangled.
- Keep others including children, animals, bystanders and helpers outside the 15m working zone.  
Stop the engine immediately if you are approached.
- Always hold the hedge trimmer firmly with both hands.
- Keep a firm footing and balance. Do not over-reach.
- Keep all parts of your body away from the muffler and cutting attachment when the engine is running.
- Keep the hedge trimmer below shoulder level. NEVER operate unit from a ladder, while in a tree or from any unstable support.
- When relocating to a new work area, be sure to shut off the machine and ensure that all cutting attachments are stopped.
- Never place the machine on the ground when running.
- Always carry a first-aid kit when operating any power equipment.
- Never start or run the engine inside a closed room or building and/or near the inflammable liquid. Breathing exhaust fumes can kill.

### 3. PARTS DESCRIPTION



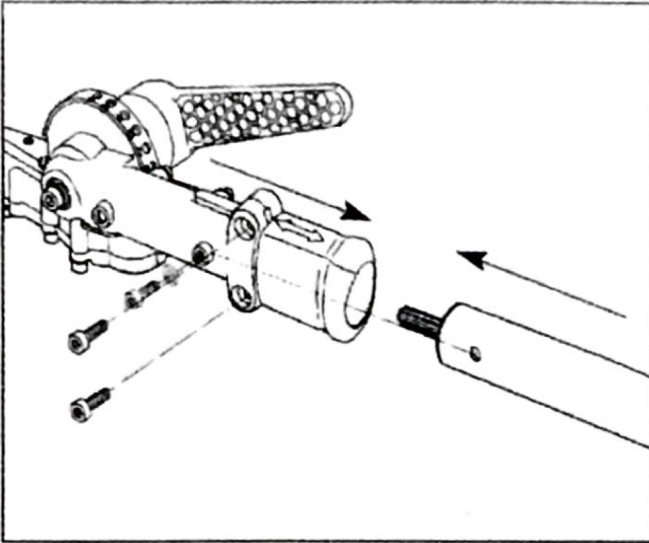
- |                         |                    |                 |                        |                        |
|-------------------------|--------------------|-----------------|------------------------|------------------------|
| 1. Cutting blade        | 2. Gear box        | 3. Oil nipple   | 4. Angle adapter plate | 5. Adjustment handle   |
| 6. Adjuster lock sleeve | 7. Front handle    | 8. Harness hook | 9. Start button        | 10. Stop button        |
| 11. Safety button       | 12. Throttle lever | 13. Rear handle | 14. Fuel tank          | 15. Air filter housing |
| 16. Spark plug cover    |                    |                 |                        |                        |

### 4. TECHNICAL DATA

Model	LRH26C (PNHT260-3B)
Displacement	25.4cm <sup>3</sup>
Spark plug	NGK / Torch BM6A
Fuel tank capacity	600ml
Blade length	620mm Double Sided
Tooth spacing	30mm
Net Weight	7.5kg



## 5. TOOL ASSEMBLY

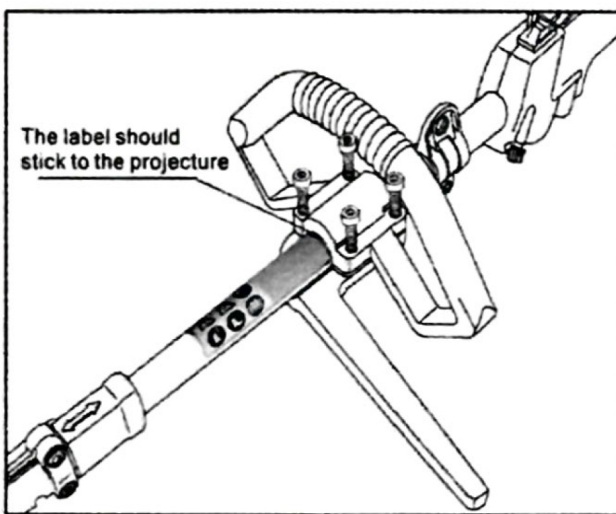


### **⚠ CAUTION: Ensure the blade guard cover is fitted**

Take when handling the blade assembly, always fit the cover when not in use.

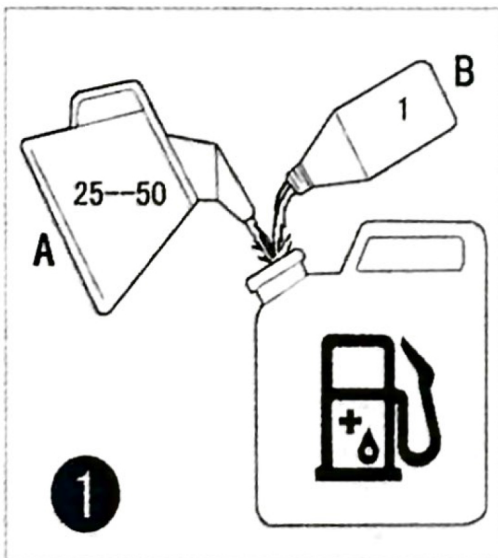
To assemble the hedge cutter:

1. Remove the output shaft from rubber sleeve
2. Insert the output shaft securely into the gearbox, ensures that the spline of the shaft locates correctly.
3. Fit and tighten the 3 hex screws as shown.



Fitting the Handle:

1. Install the rubber strip around the shaft.
2. Place the two handle parts as shown opposite.
3. Tighten the 4 screws as illustrated, such that the handle is held in place securely.



## 6. OPERATION PROCEDURES

### **⚠ CAUTION: Use a 2 stroke fuel mixture with 2 stroke oil**

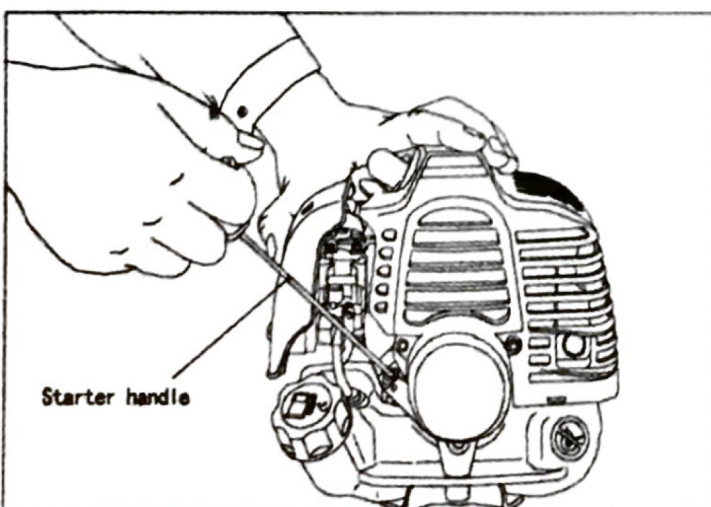
Use only high quality petrol with a minimum octane (RON) of 90. The two stroke oil should be a high standard specifically for this engine type. Never use multi-grade four stroke engine oils or waste oil.

- Always mix fuel and oil in a separate clean container suitable for petrol storage.
- The mixture ratio of petrol to oil is dependent on the 2 stroke engine oil, please refer to the bottle for details. The ratio should be between 25:1 and 50:1

### **Fueling Procedure:**

- The engine must be shut off before refueling.
- Apply caution when unscrewing the fuel cap, there may be a build of pressure, allow this to release slowly.
- After fueling tighten the fuel cap fully.
- For safety reasons, start the trimmer at least 3m from the fueling area.

It is good practice to clean the fuel cap and filler area with care avoiding dirt falling into the fuel tank. The fuel should be mixed thoroughly.

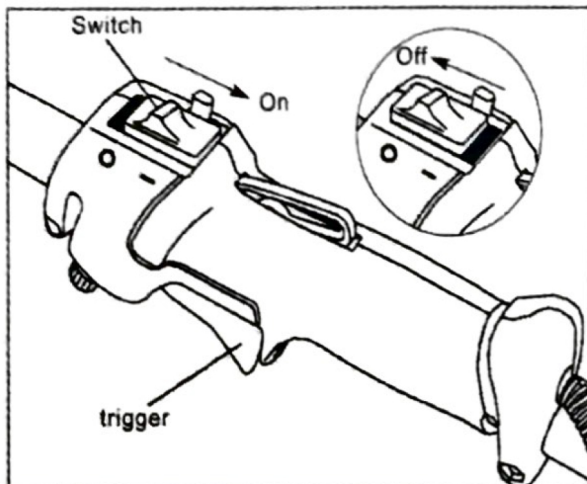




## Starting Procedure:

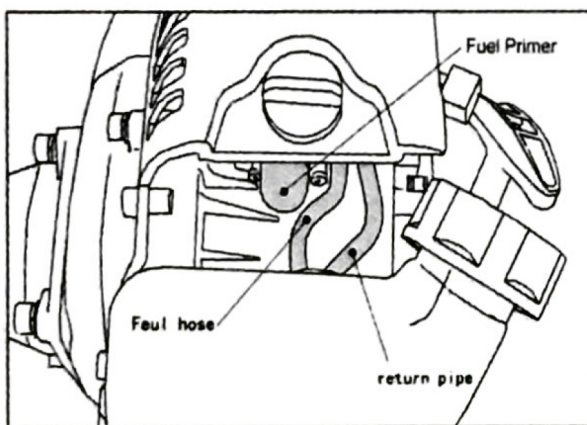
**⚠ CAUTION: Complete the following checks before starting:**

- Inspect the working area. Remove any objects that could be thrown out
- Check the cutting assembly. Never use cracked or damaged blades.
- Check all safety features operate correctly. Ensure the guard and covers are fitted and securely.
- Ensure the blades are not in contact with anything. Make sure the blades are a safe distance from the operator and bystanders.



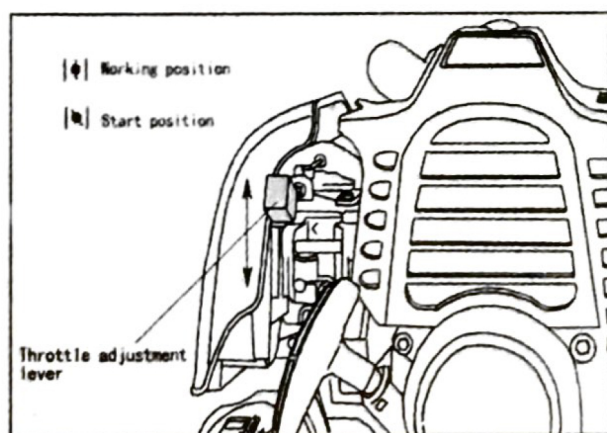
**⚠ CAUTION: Only operate in well ventilated areas**

1. Set the 'on-off' switch to the start 'on' position.
2. Keep the throttle trigger released, i.e. not engaged.



Fuel Primer:

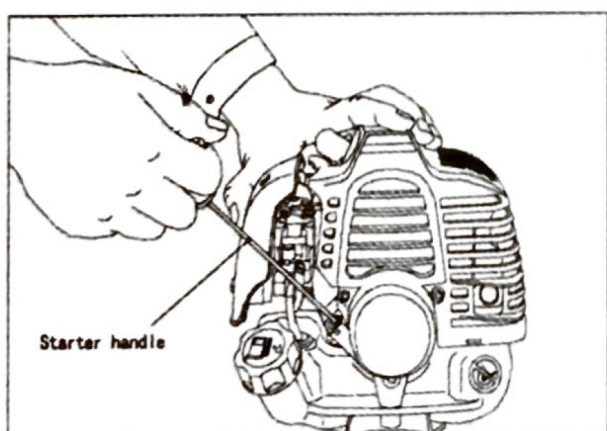
3. Slowly press the bulb of the fuel pump primer, until fuel passes through the fuel hose.



Choke Setting:

4. When starting the engine from cold place the choke lever in the start position as illustrated. Once the engine is running and warm, move the lever to the working position.

When starting from warm, adjust the position from the start to work as required.

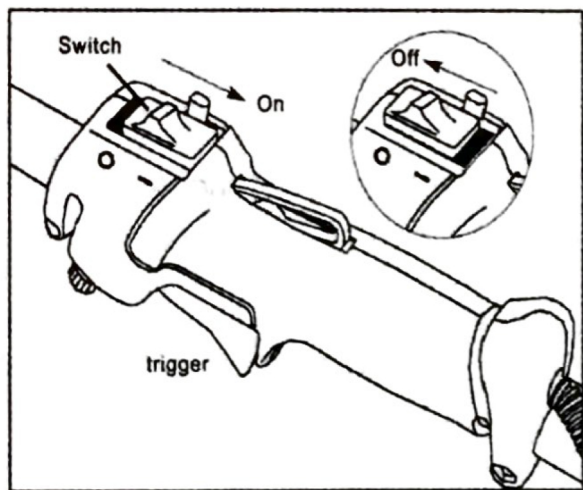


5. Place the machine on the flat ground, ensure the blade is safely away from people and objects. Hold the machine firmly and then slowly pull the starter handle, increasing the pull speed progressively. It may be necessary to repeat the pull start and re-prime to start the engine.

Do not suddenly release the starter handle, instead return it to the starter housing.

Allow the engine to 'warm up' for around 2 minutes before commencing work.





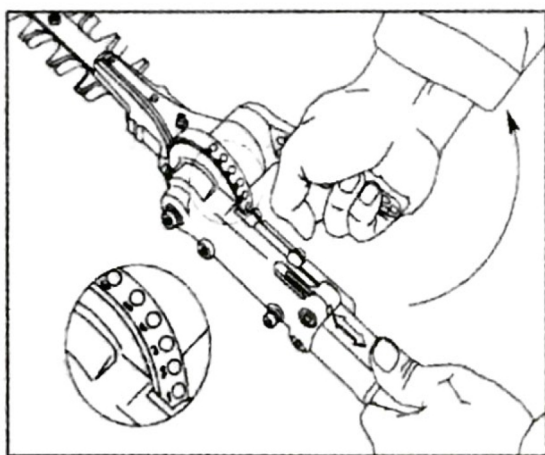
**Stopping procedure:**

6. Release the throttle trigger and allow the engine to return to an idle speed. Move the 'on-off' switch to the 'off' position.

**Cutting Procedure:**

The throttle control allows the engine and cutter speed to be varied. It is however recommended to fully engage the throttle whilst cutting for optimum performance.

- When trimming the hedge top, hold the trimmer so that the blades are 15 to 30 degrees from the horizontal.
- Swing the trimmer in an arc towards the edge of the hedge to sweep the cuttings away.
- When trimming sides of hedges, hold the hedge trimmer handle so that the cutting blades are vertical and swing the trimmer in an arc.



**Hedge Trimmer Rotating Head:**

Caution is required when changing the position of the rotating head. Ensure the blades are completely stopped before commencing.

Pull back the locking sleeve and holding the handle of the hedge trimmer head to rotate the required position. There are 13 different positions available, ensure that the position locks in position. Release the locking sleeve.

**7. MAINTENANCE**

**⚠ CAUTION:** Additional care is required whilst undertaking maintenance work. Protect yourself and others from the sharp blades, hot engine parts and other hazards.

Schedule of Maintenance:

component / system	method	Before use	After use	Every 25 hours	Every 50 hours	Every 100 hours	Damaged or when necessary
The machine		✓	✓				
Throttle trigger		✓	✓				
Carburetor		✓	✓				
Air filter				✓		✓	
Oil filter				✓		✓	
Pot cover							✓
Spark plug					✓	✓	
Spark catcher					✓		✓
Gear box							
Blade			✓	✓			✓
Fasten parts		✓					



### Carburetor Adjustment:

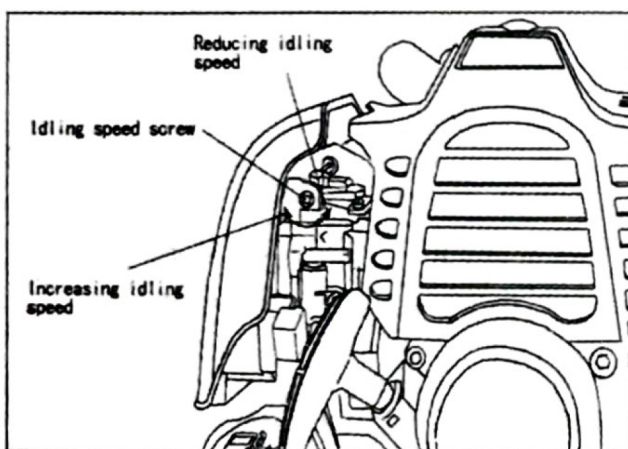
Extra care is required whilst making adjustments to the carburetor as it is necessary for the engine to be operating. Consider the position of the blades and keep others at a safe distance from the trimmer.

- The engine should not be started without safety covers fitted. Ensure the clutch is covered whilst the engine is operating.

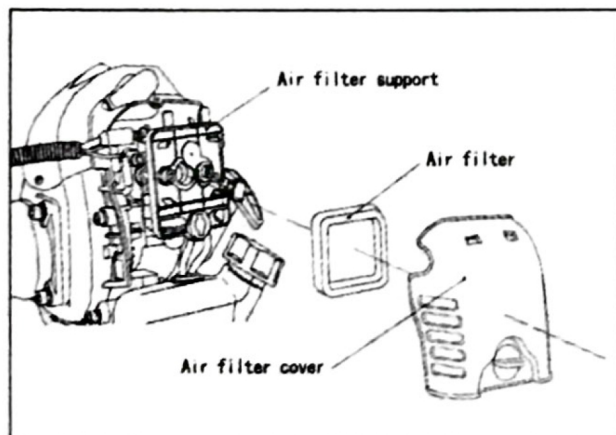
The carburetor mixes air and fuel to optimise the efficient combustion of the petrol. The factory will test, inspect and adjust the carburetor to ensure the engine operates correctly, however at times it may be necessary for further adjustment to be made. Adjustments will be required according to climate, altitude and specific fuel.

### Idle Speed Adjustment Screw

Ensure the air filter is clean, replace as necessary before starting adjustment.



- Adjust the idle screw as necessary, anti-clockwise will reduce idle speed, clockwise increases the speed. With the correct idle speed set, the cutting blades should not operate.
- The correct idle speed is set when the engine runs smoothly in all positions well below the speed that the blades start to operate.
- If the blades continue to operate despite adjustment contact your Cobra service dealer.



### Air Filter

To ensure efficient running and reliable long service the filter should be cleaned regularly. Prevent the following:

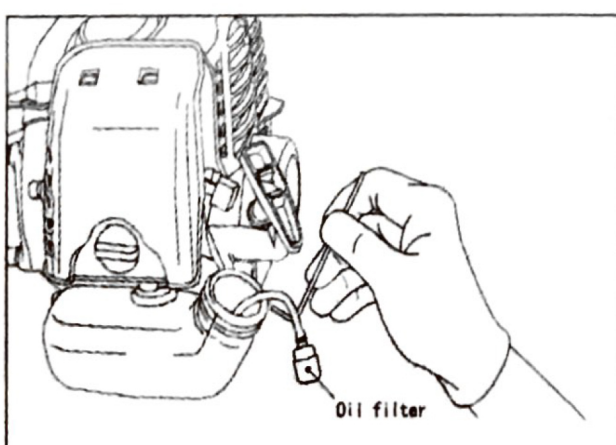
- Carburetor malfunctions
- Starting problems
- Reduced engine power
- Wear on the engine
- Increased fuel consumption

Clean the air filter daily or more frequently in dusty working

conditions.

### Air Filter Cleaning:

Remove the air filter cover and the foam filter. Rinse the foam filter in warm soap water and allow the filter to fully dry before refitting and oiling. Ensure the foam element fits fully within the casing, a damaged badly fitting filter may allow dust and contaminants to enter the carburetor and the engine. Always replace damaged or worn air filter elements.

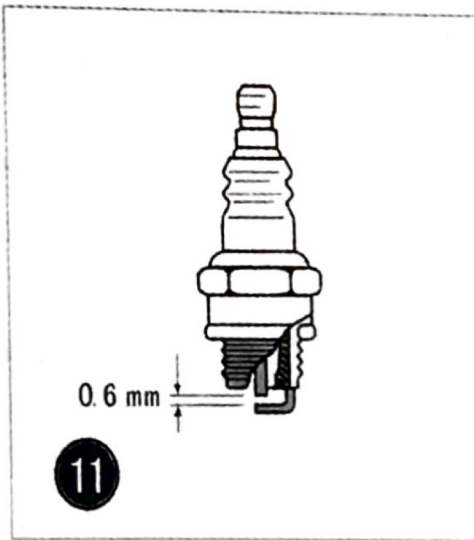


### Fuel Filter

Remove the fuel filter from the fuel tank and thoroughly wash it with a suitable solvent. Refit the filter after cleaning.

Replace the filter if it becomes hard or becomes damaged.





### Spark Plug

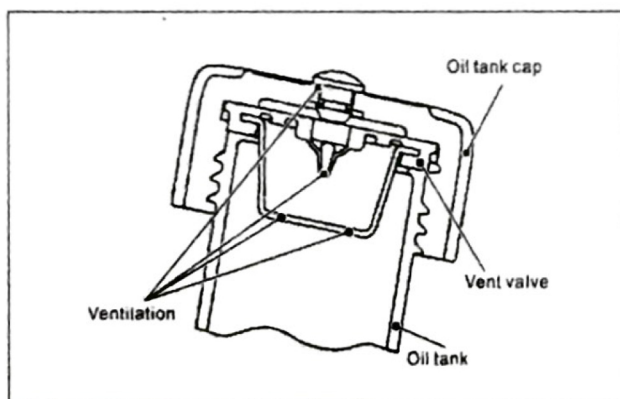
It is important that the spark plug condition is maintained for efficient engine operation. Factors that affect the spark plug:

- Incorrect carburetor settings
- Air filter dirty condition
- Weather conditions, particularly cold temperatures
- Too much oil in the fuel mixture

The above factors increase deposits and reduce the effectiveness of the spark plug and consequently reduce power and starting. Additionally the engine may struggle to run at the idle speed.

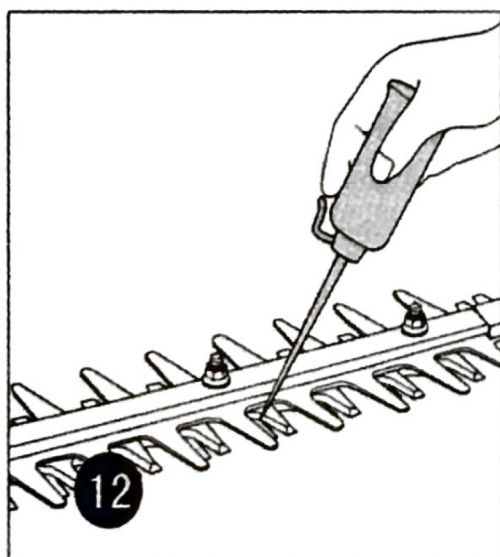
It is good practice to check and clean the spark plug regularly. Clean the spark plug and check the gap is 0.6mm. Replace the plug after 100 hours of operation or when the electrodes are severely eroded.

Note: Replace the spark plug with NGK BM6A .



### Fuel Cap

The fuel cap has breathable channel, which allows the fuel to flow into the carb. Check the ventilation channels are clear and the vent operates correctly.

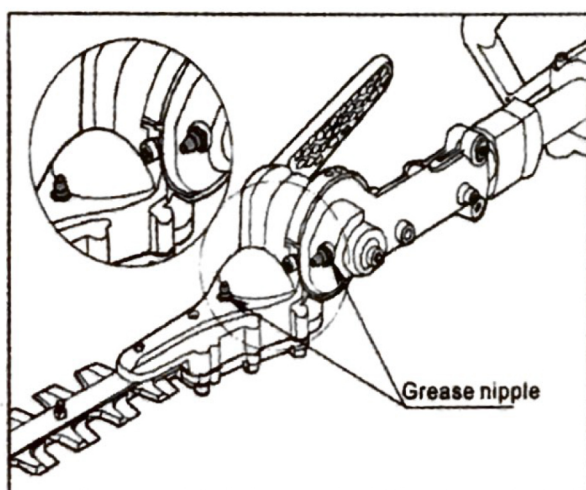


### Lubricating the Blade

**⚠ CAUTION: Wear protective gloves**

Regular lubrication of the cutting blades will maintain cutting performance and reduce wear.

Whilst trimming, sap and other residue will adhere to the blade edges, which will increase engine load and reduce cutting effectiveness. Apply a light machine or bicycle oil to the blades, then wipe with a cloth. To prevent rusting after use lubricate the blades and then refit the blade cover.



### Gear Case (Apply after 25 hours of use)

The cutting blade gears require periodic lubrication with a good quality lithium based grease. Lubricate with grease through the grease nipple on the side of the gearbox casing with a cartridge type grease gun. Recommended grease: OEST LT200EP

Apply sufficient grease such that a small amount of grease comes out the gearbox casing near the blades.

## 8. STORAGE INSTRUCTIONS

The following steps should be taken to prepare the trimmer for storage.

1. Empty the tank after the last use of the season.
2. Start the engine and let it run until it stops, this will ensure all the fuel is removed from the carburetor and engine.
3. Clean the trimmer with a clean rag and replace any damaged parts.
4. Put a few drops of 2 stroke engine oil into the cylinder through the spark plug hole. By pulling the recoil spin the engine over a few times to distribute the oil. Replace the spark plug.
5. Cover the unit and store it in a dry area.

## 9. TROUBLESHOOTING

PROBLEM	PROBABLE CAUSE	CORRECTIVE ACTION
Engine does not start.	Fuel filter blocked or fuel cap vents blocked	Replace the fuel filter in the tank and / or check the fuel cap vents
	Carburetor fault	See a Cobra service dealer
	No spark at the spark plug	Check the switch is 'ON' Or electrical fault – see Cobra service dealer Or the spark plug – clean and adj. gap to .6mm
Engine difficult to start or loses power.	Dirt, water, or stale fuel tank.	Drain fuel and clean tank. Fill tank with clean, fresh fuel
	Carb requires adjustment	Refer to a Cobra Dealer
	Air cleaner element is dirty.	Clean air cleaner element.
Blades do not operate	Blades are blocked with debris	Switch off the engine and remove the debris from the blades. Use tongs or similar to remove vegetation. Oil and clean regularly. For large branch elements use hedge use pruners

**For all other issues please refer to your Cobra service dealer.**



## **12. WARRANTY**

This product is warranted in accordance with legal regulations for a 24 month period effective from the date of purchase by the first user.

This product will not be covered if used in a commercial application.

This warranty covers all material or production failures, it does not include: defects from normal wear and tear, parts such as, bearings, brushes, cables, air cleaning elements, brake pad, clutch disc, tyre, wheel, recoil starter rope, belts, cutter blades, plugs, lubricant oils and grease or accessories. Damage or defects resulting from abuse, accidents or alterations, natural fading of painted or plated surfaces, sheet peeling and other natural deterioration.

Any damage that occurs from the use of non-genuine Cobra parts will not be covered.

We reserve the right to reject any claim where the purchase cannot be verified or when it is clear that the product was not maintained properly. (Clean ventilation slots, carbon brushes and serviced regularly)

Expenses incidental to the warranty claim that are not covered;

-Compensation for loss of time, commercial loss or rental costs of substitute product.

-Costs incurred for transportation to and from the dealership.

Any damage that occurs from the following will not be covered; exposure of the product to smoke and soot, chemical agents, bird droppings or other animal waste, seawater, sea breeze, salt or other environmental phenomena.

Any damage resulting from operating methods other than those indicated in the owner's manual will not be covered.

Your purchase receipt must be kept as proof for date of purchase. Your un-dismantled mower must be returned to your dealer in an acceptably clean state, accompanied by your proof of purchase.

### **Please Register Your Hedge Trimmer**

If your dealer did not collect registration information from you, please take a few minutes and register your purchase with Cobra.

You can register by completing and mailing the registration card that should be in the box or by going online to: [www.cobragarden.co.uk](http://www.cobragarden.co.uk) and clicking on Product Registration.

Before using the trimmer, all operators must read this manual

### 13. ENVIRONMENT

Should your machine need replacement after extended use, do not put it in the domestic waste but dispose of it in an environmentally safe way.



#### **Disposal**


**Do not dispose of old equipment, batteries or accumulators as household waste!**

Machine, packaging, and accessories were made with recyclable materials, and should be disposed of accordingly.





#### 14. EC-DECLARATION OF CONFORMITY

<b>EC Declaration of Conformity</b>	
We herewith declare,	Cobra Garden Machinery Henton & Chattell Ltd, London Road, Nottingham NG2 3HW UK
That the following machine complies with the appropriate basic safety and health requirements of the EC Directive based on its design and type, as brought into circulation by us.	
In case of alteration of the machine, not agreed upon by us, this declaration will lose its validity	
Machine Description:	Petrol Hedge Trimmer
Machine Type:	LRH26C (PNHT260-3B)
Displacement	25.4 cm <sup>3</sup>
Max, Cutting width	620 mm
Measured sound power level:	108.5dB(A)
Guaranteed sound power level:	113dB(A) Notified Body for EC Directive 2000/14/EC Intertek Testing Services Shanghai Building No.86, 1198 Qinzhou Road (North), Caohejing Development Zone, Shanghai 200233, China
Applicable EC Directives	2006/42/EC 2004/108/EC 2000/14/EC 97/68/EC
Applicable Harmonized Standards	EN ISO 11680-1:2011 EN ISO 11806-1:2011 EN ISO 10517:2009 +A1:2013 The conformity assessment procedure followed was in accordance with Annex III of the Directive 2000/14/EC
Authorized Signature/Date/Place	 Peter J. Chaloner 27-04-2016
Title of Signatory	General Manager
Name and address of the person authorized to compile the technical file	Cobra Garden Machinery Henton & Chattell Ltd, London Road, Nottingham NG2 3HW United Kingdom